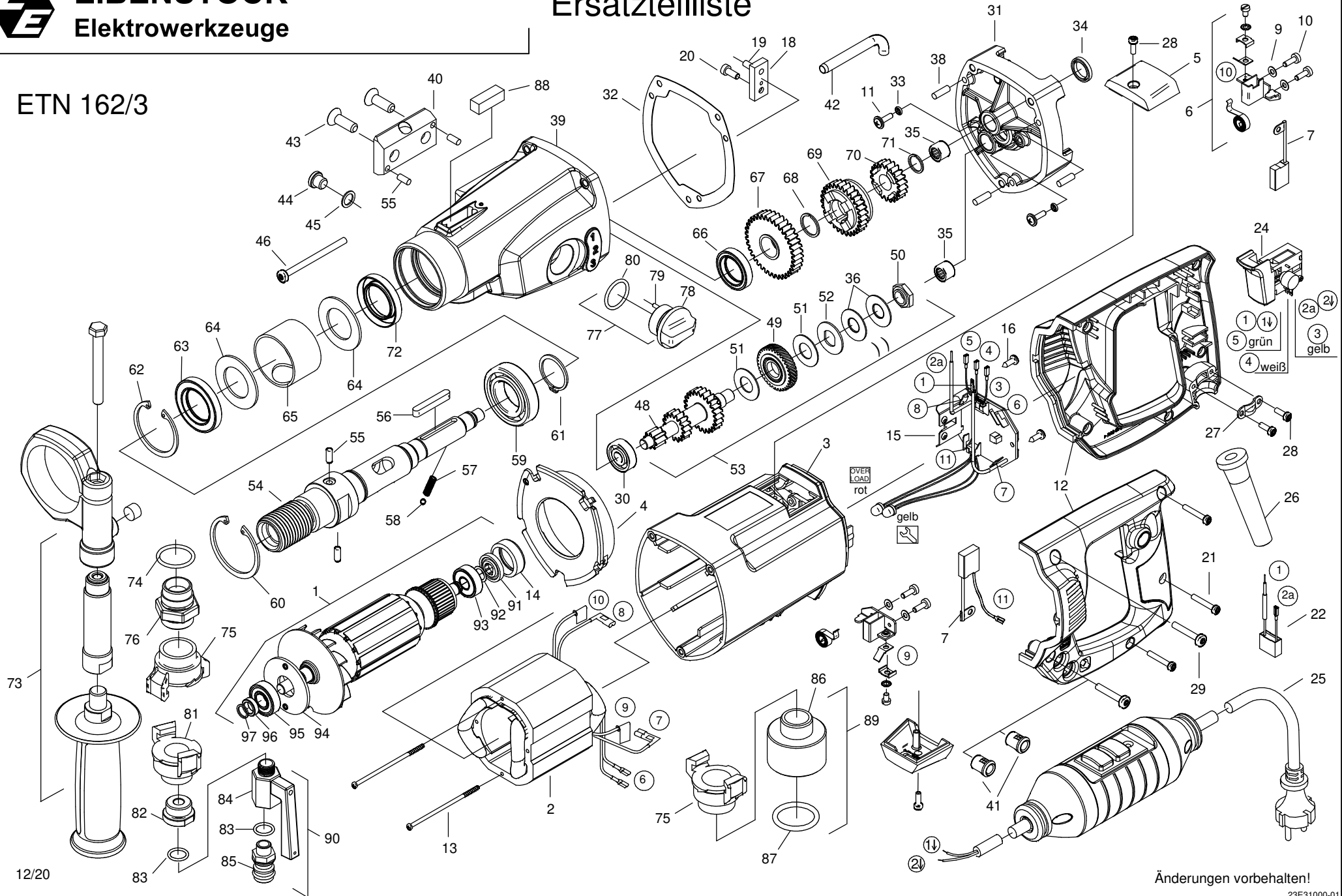




Ersatzteilliste

ETN 162/3





03E31000

ETN 162/3 - 230 V

Version

01

Dated: 25.01.2022

Pos.	Description	Item No.	pc.
1	Rotor, compl. 230V	73E31100	1
2	Stator, compl. 230V	73E31150	1
3	Motor housing	73E31200	1
4	Air guiding ring	73E31145	1
5	Cover pair	73E3121U	1
6	Brush holder, compl.	73E3122S	2
7	Carbon brush set	73E31220	1
9	Spring washer 4	80201385	4
10	Screw M4x12	80201180	4
11	Screw M4x14	80201457	2
12	Handle pair	73E3126U	1
13	Screw 3x78	80201234	2
14	Bearing cap	83000031	1
15	Printed circuit board 230V	80601205	1
16	Screw 4,2x13	80201270	2
18	Gear lever	73331542	1
19	Parallel pin 5x14	80200579	1
20	Screw M5x12	80201230	1
21	Screw 4x25	80201412	3
22	Capacitor	73E31305	1
24	Switch	80600512	1
25	Connecting cable PRCD 2x1,5mm ² 5m	73E31262	1
26	Cable grommet	83000004	1
27	Wire locking flange	85000020	1
28	Screw 4x12	80201413	4
29	Screw 5x30	80201411	2
30	Grooved ball bearing 629	80410015	1
31	End shield of gearing	73E31610	1
32	Gearbox seal	73E31620	1
33	O-ring 3,68x1,78	83000019	2
34	Shaft seal 15x21x3	83000179	1
35	Needle sleeve HK1010	80420115	2
36	Disc spring 28x14,2x1,25	80200715	2
38	Parallel pin 5x12	80200574	3
39	Gearbox Housing	73E31400	1
40	Prism	73334410	1
41	LED holder	80601153	1
42	Oil tube	73E31425	1
43	Screw M10x25	80201173	2
44	Cap screw 1/8"	80201406	1

Pos.	Description	Item No.	pc.
45	Seal ring 1/8"	83000106	1
46	Screw 5x60	80201484	3
48	Intermediate shaft	73331490	1
49	Clutch wheel	73331560	1
50	Nut M12x1	73E31497	1
51	Brass washer 28,5x14,2x1	85000082	2
52	Driving washer	73331496	1
53	Clutch, compl.	73E31493	1
54	Work spindle	73334420	1
55	Parallel pin 5x12	80200574	4
56	Parallel key 5x5x40	80200612	1
57	Pressure spring	80200698	1
58	Ball	80410082	1
59	Grooved ball bearing 60/28 2RS	80410155	1
60	Retaining ring J52x2	80201392	1
61	Retaining ring 28x1,5	80201328	1
62	Retaining ring 47x1,75	80201336	1
63	Shaft seal 28x47x7	83000029	1
64	Scraper	73334425	2
65	Spacer block	73334423	1
66	Shaft seal 22x35x7	83000077	1
67	Loose wheel 1	73331460	1
68	Circlip SW18	80200746	1
69	Shifting gear	73331550	1
70	Loose wheel 2	73331470	1
71	Circlip SW14	80200747	1
72	Shaft seal 28x45x7	83000094	1
73	Side handle, compl.	73E31695	1
74	Seal ring 3/4"	83000120	1
75	Quick coupling 3/4"	73E31958	2
76	Double-screwed nipple	73334405	1
77	Switching, compl.	73E31545	1
78	Switch button	73E31540	1
79	Parallel pin 3x10	80200577	1
80	O-ring 22x2,5	83000036	1
81	Quick coupling 1/2", compl.	73E31953	1
82	Reducing nipple	83000128	1
83	Seal ring 1/4"	83000107	2
84	Ball valve	83000141	1
85	Connecting piece	83000124	1



03E31000

ETN 162/3 - 230 V

Version 01

Dated: 25.01.2022

Pos.	Description	Item No.	pc.
86	Adaptor	76RK4975	1
87	O-ring 35x4	83000047	1
88	Horizontal bubble level	85000152	1
89	Adaptor, compl.	73E31955	1
90	Water connector, compl.	73E31950	1
91	Magnetic ring 24x10x4,8	80701004	1
92	Fibre washer 10x14x0,5	80200998	1
93	Grooved ball bearing 6000 2Z	80410021	1
94	Bearing disc	85000027	1
95	Grooved ball bearing 6001 2RS	80410032	1
96	Sealing bush 10x15x5	73334435	1
97	Circlip SW10	80200742	1