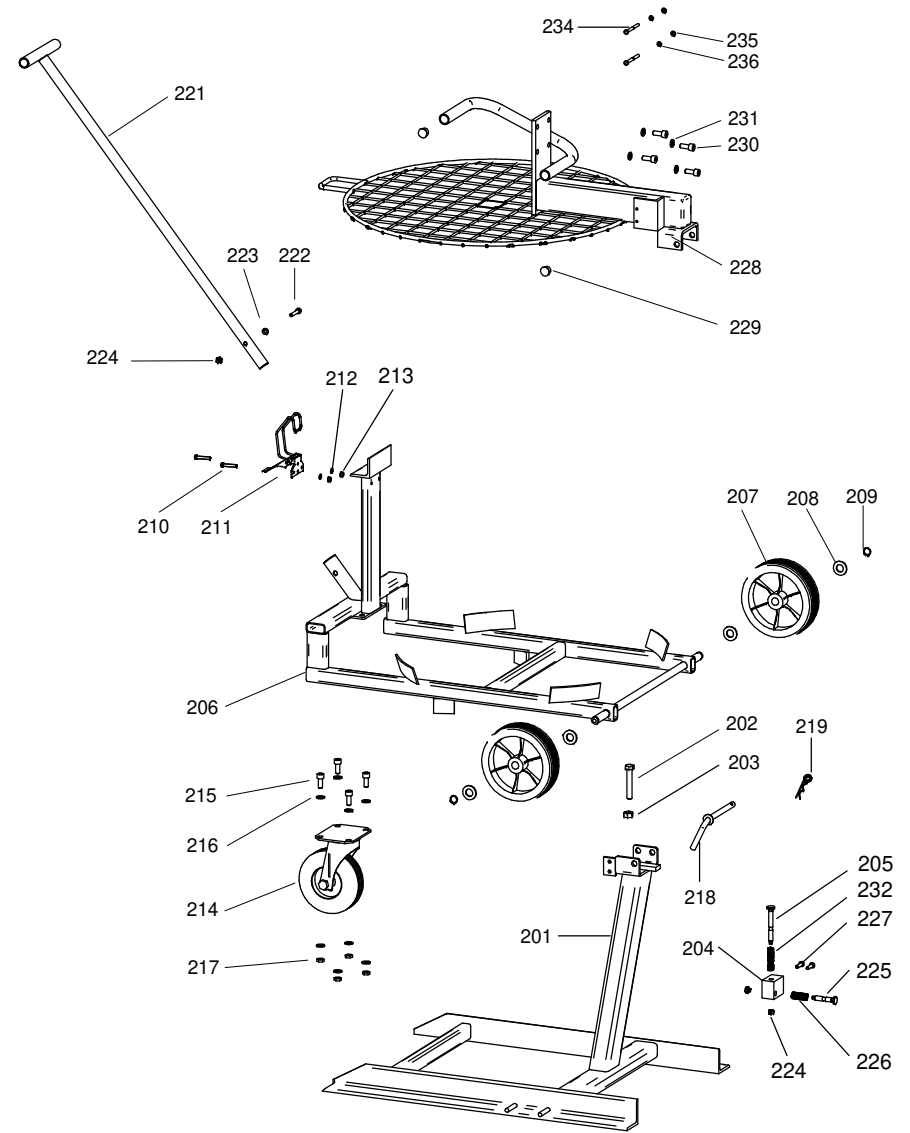
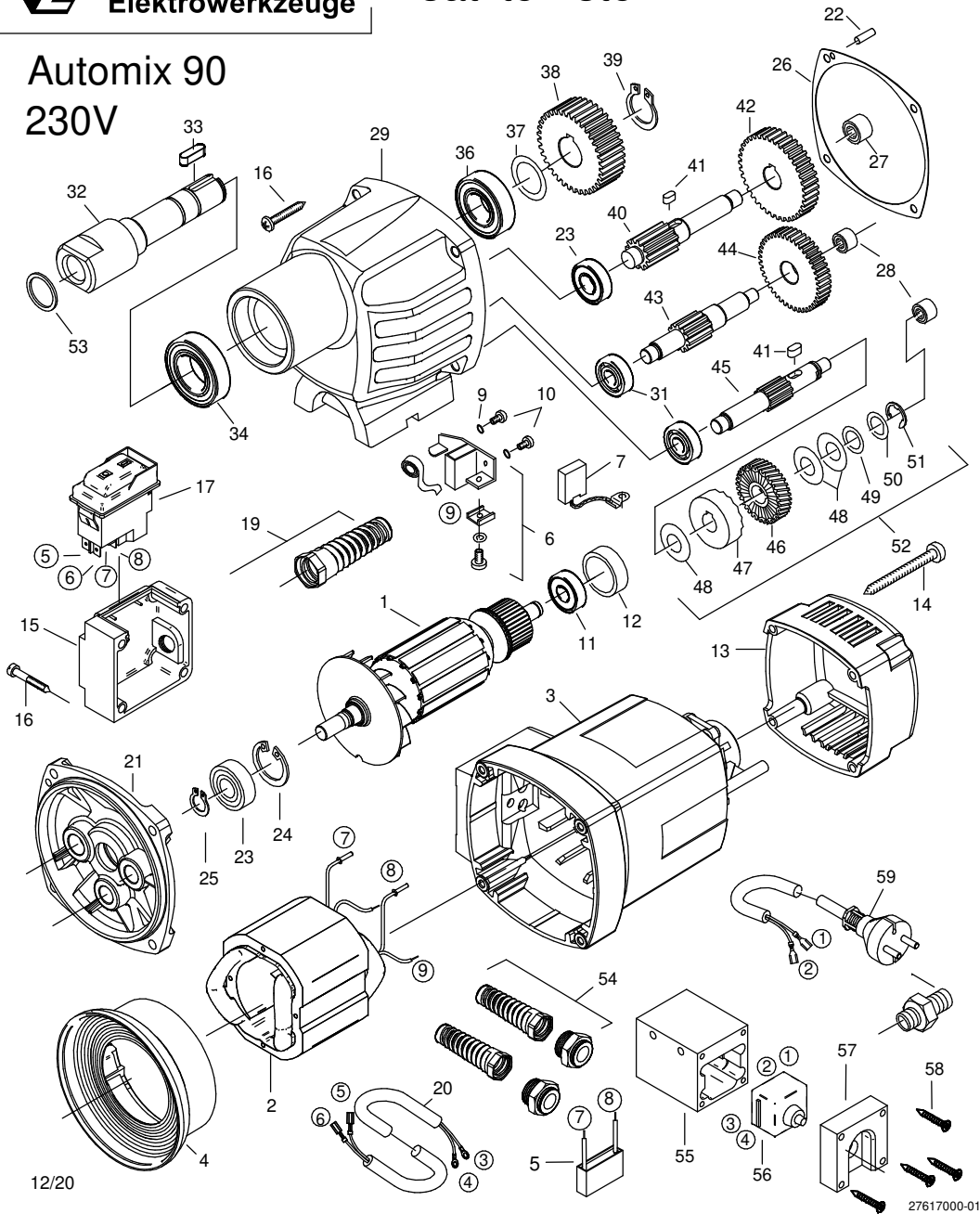




EIBENSTOCK
Elektrowerkzeuge

Ersatzteilliste

Automix 90
230V





07617000

Automix 90 - 230 V

Version

01

Dated: 25.01.2022

| Pos. | Description | Item No. | pc. |
|------|-------------------------------|----------|-----|
| 1 | Rotor, compl. 230V | 77617100 | 1 |
| 2 | Stator, kpl. 230V | 77617150 | 1 |
| 3 | Motor housing | 80900042 | 1 |
| 4 | Air guiding ring | 71540144 | 1 |
| 5 | Capacitor | 80500010 | 1 |
| 6 | Brush holder, compl. | 80201199 | 2 |
| 7 | Carbon brush 6,3x16x20 | 80700019 | 2 |
| 9 | Spring washer 4 | 80201385 | 4 |
| 10 | Screw M4x12 | 80201180 | 4 |
| 11 | Grooved ball bearing 6000 2Z | 80410021 | 1 |
| 12 | Bearing cap | 83000031 | 1 |
| 13 | Cap | 80900082 | 1 |
| 14 | Screw 4,8x45 | 80201267 | 4 |
| 15 | Switch box | 73420631 | 1 |
| 16 | Screw 5,5x38 | 80201292 | 8 |
| 17 | Switch | 80600105 | 1 |
| 19 | Cable gland | 80600170 | 1 |
| 20 | Intermediate cable | 77617340 | 1 |
| 21 | End shield of gearing | 77614610 | 1 |
| 22 | Grooved pin 5x12 | 80200584 | 1 |
| 23 | Grooved ball bearing 6001 2Z | 80410031 | 2 |
| 24 | Retaining ring 28x1,2 | 80201333 | 1 |
| 25 | Retaining ring 11x1 | 80201320 | 1 |
| 26 | Gearbox seal | 82000509 | 1 |
| 27 | Needle sleeve HK1010 | 80420115 | 1 |
| 28 | Needle sleeve HK0810 | 80420110 | 2 |
| 29 | Gearbox housing | 77614400 | 1 |
| 31 | Grooved ball bearing 6000 | 80410020 | 2 |
| 32 | Work spindle | 77610420 | 1 |
| 33 | Parallel key 6x6x20 | 80200618 | 1 |
| 34 | Grooved ball bearing 6005 2RS | 80410061 | 1 |
| 36 | Grooved ball bearing 6004 2RS | 80410051 | 1 |
| 37 | Fitting washer 20x28x0,1 | 80200509 | 1 |
| 38 | Spindle wheel | 77610430 | 1 |
| 39 | Retaining ring 20x1,2 | 80201324 | 1 |
| 40 | Intermediate shaft 3 | 77610510 | 1 |
| 41 | Parallel key 5x5x10 | 80200600 | 2 |
| 42 | Intermediate wheel 3 | 77610450 | 1 |
| 43 | Intermediate shaft 2 | 77614500 | 1 |
| 44 | Intermediate wheel 2 | 77610460 | 1 |

| Pos. | Description | Item No. | pc. |
|------|--|----------|-----|
| 45 | Intermediate shaft 1 | 77614490 | 1 |
| 46 | Coupling wheel | 7752A550 | 1 |
| 47 | Coupling half | 71411560 | 1 |
| 48 | Disc spring 25x12,2x0,9 | 80200710 | 3 |
| 49 | Shim ring 12x18x0,5 | 80200503 | 1 |
| 50 | Pressure washer 12,1x18x1 | 71540606 | 1 |
| 51 | Safety washer 9 | 80201361 | 1 |
| 52 | Coupling, compl. | 77614493 | 1 |
| 53 | Copper ring | 83000186 | 1 |
| 54 | Cable guard | 80600166 | 2 |
| 55 | Switch box | 77612630 | 1 |
| 56 | Switch | 80600502 | 1 |
| 57 | Switch cover | 77617654 | 1 |
| 58 | Screw 4,2x25 | 80201273 | 4 |
| 59 | Connecting cable 2x1mm ² 3m | 80600060 | 1 |
| 201 | Sub-frame | 17617001 | 1 |
| 202 | Screw M10x60 | 80201223 | 1 |
| 203 | Nut M10 | 80201033 | 1 |
| 204 | Protection switch box | 77617655 | 1 |
| 205 | Restrictor | 77617656 | 1 |
| 206 | Trolley | 67617002 | 1 |
| 207 | Solid rubber wheel | 85000215 | 2 |
| 208 | Washer 15 | 80201352 | 4 |
| 209 | Retaining ring 14x1 | 80201318 | 2 |
| 210 | Screw M5x30 | 80201175 | 2 |
| 211 | Fastener | 80430027 | 1 |
| 212 | Washer 5,3 | 80201354 | 2 |
| 213 | Nut M5 | 80201003 | 2 |
| 214 | Caster wheel | 85000216 | 1 |
| 215 | Screw M8x20 | 80201147 | 4 |
| 216 | Washer 8,4 | 80201377 | 8 |
| 217 | Nut M8 | 80201006 | 5 |
| 218 | Fastener | 17617003 | 1 |
| 219 | Clip connector | 80201310 | 1 |
| 221 | Towing bar | 17617005 | 1 |
| 222 | Screw M6x35 | 80201423 | 1 |
| 223 | Washer 6,4 | 80201375 | 1 |
| 224 | Nut M6 | 80201012 | 3 |
| 225 | Locking switch | 77617657 | 1 |
| 226 | Compression spring | 77617658 | 1 |



07617000

Automix 90 - 230 V

Version 01

Dated: 25.01.2022

| Pos. | Description | Item No. | pc. |
|------|----------------------|----------|-----|
| 227 | Screw 6x20 | 80201278 | 2 |
| 228 | Grid compl. | 17617008 | 1 |
| 229 | Plug | 80900007 | 2 |
| 230 | Screw M8x20 | 80201147 | 4 |
| 231 | Spring lock washer 8 | 80201309 | 4 |
| 232 | Compression spring | 77617659 | 1 |
| 234 | Screw M5x55 | 80201211 | 2 |
| 235 | Nut M5 | 80201003 | 2 |
| 236 | Spring lock washer 5 | 80201302 | 2 |